

STOKVIS

ENERGY SYSTEMS



ECONOPLATES

The Ultimate Range of Packaged
Plate Heat Exchangers

ECONOPLATES

The Stokvis Econoplate packaged Plate Heat Exchanger units are available in up to seven ranges covering some 200 plus units fulfilling a tremendous variety of applications. From simple domestic hot water generation to swimming pool heating or even complex process heating and beyond, Stokvis have a unit and the expertise which would satisfy your demands.

Stokvis Econoplates are designed to provide hot water instantaneously, from zero output up to their maximum rated output, without the need for hot water storage.

The principle is simple, well proven and extremely cost effective. All of the Econoplate units are built around an epoxy coated chassis which contains the heat exchanger. This heat exchanger is constructed from a number of gasketed, stainless steel plates - easily increased should demand require.

Their low water content and low thermal inertia make them ideal for use in systems with rapidly changing heat outputs.

The Econoplate units (with the exception of bare plate units) come complete with primary pump(s), fast acting 3 or 4 port motorised control valve on the primary circuit, and purpose built PID controller for sensing secondary water temperature and controlling the motorised valve.



In addition the PID control panel on the 'E' series plate heat exchanger also contains:

- All functional indicator lamps and LCD display of faults
- Control and output fuses
- High/ low temperature alarm lamp
- Common volt free temperature alarm terminals
- High temperature lockout
- All control adjustments
- A 7 day time clock for either:
 - 2 temperatures of operation/day
 - a single temperature and night off/day
- Duplex pump duty sharing
- External control circuit for 2 temperatures or 1 temperature and off
- External interlock circuit
- 4-20mA temperature output signal

On the E4B and E3C models primary pump overloads are also included as standard with auto change over on units fitted with duplex primary pumps. Volt free pump run or fault indication is available as an option.

The Stokvis Econoplate packages can thus be accommodated into most BMS systems via volt free contacts for external high/low temperature alarms the external control circuits etc. and optional primary pump run and trip indication.

In effect, the Econoplate units provide an effective, efficient, versatile system for the controlled delivery of hot water over an unbelievable range of demand requirements. A complete system which is easy to install, operate and maintain; which is fast and effective in response, tried and tested in operation and with none of the unhealthy drawbacks of a storage system either practical or medical!

ECONOPLATE E4A SERIES



ECONOPLATE E4A package equipped with 316 grade stainless steel plates. This range will satisfy demands from 2 to 65 apartments or 3 to 44 hotel rooms. Available hot water flow is from 13 to 92 l/min at a temperature of 10 to 60 °C depending on primary circuit temperature and heat exchanger surface of the unit.

ECONOPLATE E4B SERIES

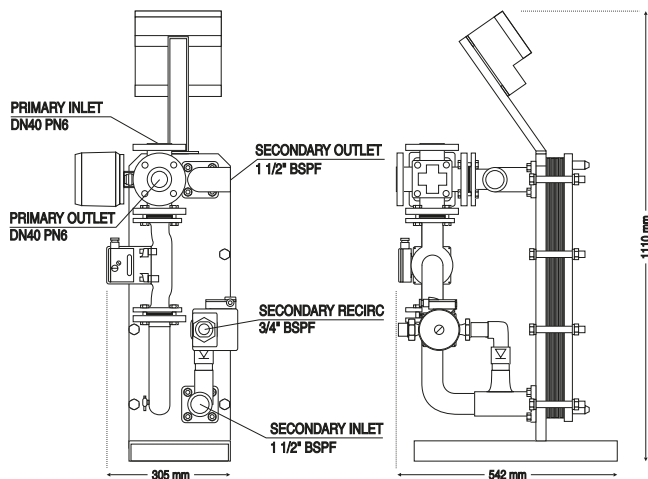


ECONOPLATE E4B package equipped with 316 grade stainless steel plates. This range will satisfy demands from 42 to 405 apartments or 32 to 232 hotel rooms. Available hot water flow is from 72 to 255 l/min at a temperature of 10 to 60 °C, depending on the primary circuit temperature and heat exchange surface of the unit.

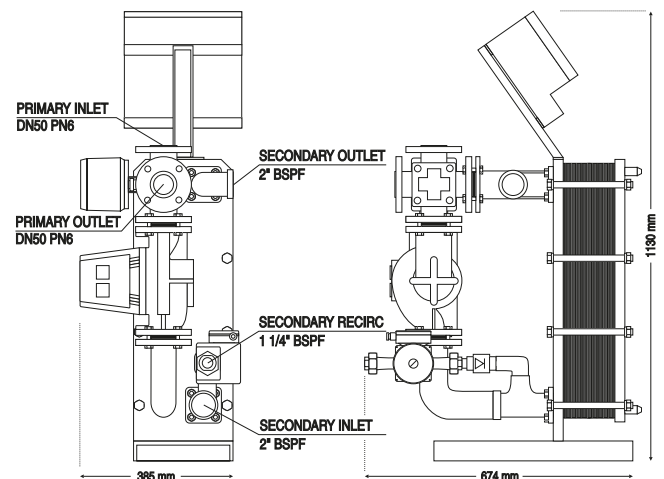
Econoplate 'E4A' Series Plate Heat Exchanger Packages			
TYPE E4A	SEC. FLOW RATE 10-60° C (l/min) at 25 kPa Resistance	PRIMARY FLOW RATE l/sec. @ 82° C	HEAT LOAD kW
E4A5	12.9	0.47	45
E4A7	23.0	0.67	80
E4A9	31.9	0.83	111
E4A11	40.8	1.00	142
E4A13	48.9	1.14	170
E4A15	56.6	1.28	197
E4A17	64.0	1.42	223
E4A19	70.1	1.50	244
E4A21	76.7	1.60	267
E4A23	81.6	1.67	284
E4A25	87.3	1.75	304
E4A27	91.9	1.80	320

Econoplate 'E4B' Series Plate Heat Exchanger Packages			
TYPE E4B	SEC. FLOW RATE 10-60° C (l/min) at 40 kPa Resistance	PRIMARY FLOW RATE l/sec. @ 82° C	HEAT LOAD kW
E4B15	72.0	1.90	251
E4B19	94.2	2.40	328
E4B23	115.2	2.86	401
E4B27	135.0	3.27	470
E4B31	153.6	3.62	535
E4B35	171.6	3.97	598
E4B39	187.8	4.26	654
E4B43	204.0	4.55	710
E4B47	217.2	4.78	756
E4B51	231.6	5.00	806
E4B55	243.6	5.17	848
E4B59	255.0	5.33	888

E4A SERIES



E4B SERIES



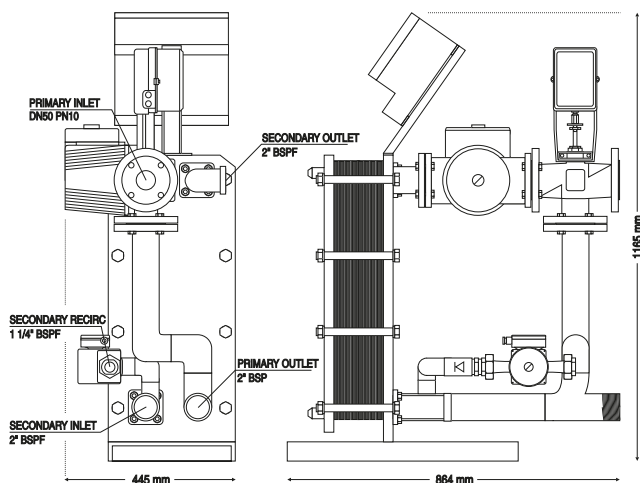
ECONOPLATE E3C SERIES



ECONOPLATE E3C package equipped with 316 grade stainless steel plates. This range will satisfy demands from 64 to 590 apartments or from 43 to 331 hotel rooms. Available hot water flow is from 90 to 322 l/min at a temperature of 10 to 60 °C depending on the primary circuit temperature and the heat exchange surface of the unit.

EconoPlate 'E3C' Plate Heat Exchanger Packages			
TYPE E3C	SEC. FLOW RATE 10-60° C (l/min) at 30 kPa Resistance	PRIMARY FLOW RATE l/sec. @ 82° C	HEAT LOAD kW
E3C11	90.0	2.25	313
E3C15	121.2	2.97	422
E3C19	149.4	3.58	520
E3C23	174.0	4.10	606
E3C27	195.6	4.49	681
E3C31	216.6	4.85	754
E3C35	234.0	5.15	815
E3C39	247.2	5.30	861
E3C43	262.2	5.51	913
E3C47	272.4	5.66	949
E3C51	283.8	5.77	988
E3C55	294.0	5.88	1024
E3C59	301.8	5.97	1051
E3C63	310.8	6.05	1082
E3C67	318.0	6.15	1107
E3C69	322.2	6.18	1122

E3C SERIES



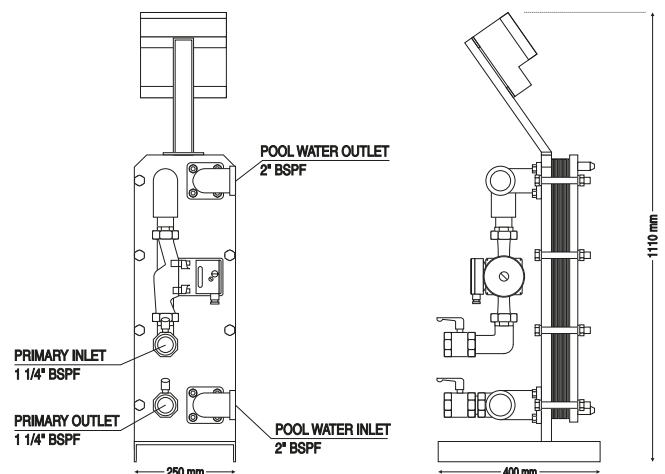
ECONOPLATE E0B SERIES



ECONOPLATE E0B EconoPlate swimming pool package comes complete with primary circuit pump, electronic temperature control and primary non-return valve - no motorised valve is used in this application. E0B EconoPlate units are suitable for all types of pools: public, private or medical. Special titanium plates are available for sea water applications.

EconoPlate E0B Plate Heat Exchanger Packages.			
TYPE E0B	POOL WATER FLOW RATE l/sec.	PRIMARY FLOW RATE l/sec. @ 82° C	NOMINAL OUTPUT kW
E0B5	0.45	0.77	48
E0B7	0.67	1.06	80
E0B9	0.89	1.28	109
E0B11	1.10	1.47	137
E0B13	1.33	1.64	164
E0B15	1.54	1.77	188
E0B17	1.75	1.87	211
E0B19	1.96	1.98	233
E0B21	2.16	2.07	253
E0B23	2.36	2.17	274
E0B25	2.55	2.22	291

E0B SERIES



ECONOPLATE E2 SW SERIES

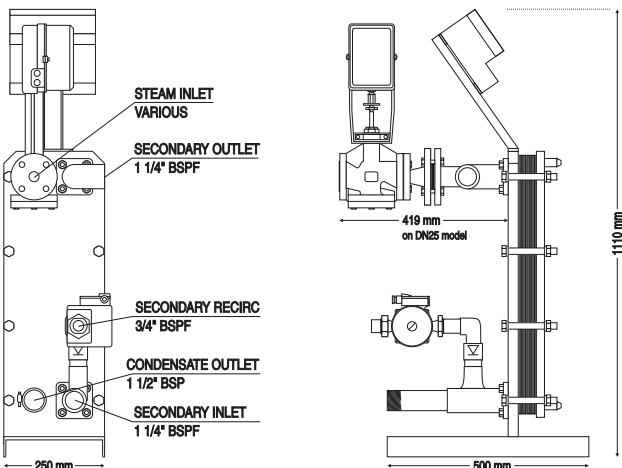


ECONOPLATE STEAM TO WATER packages are also available in several unit sizes, as indicated below, giving even greater flexibility of application. This package comes complete with two port motorised valve together with electronic control panel. For hot water service applications, as with other EconoPlate units, a secondary re-circulating pump and non return valve can be fitted as an option. The steam to water packages can also be used for low temperature heating systems.

EconoPlate Steam to Water Plate Heat Exchanger packages.

TYPE E2A SW E2B SW E2C SW	SEC. FLOW RATE 10-60° C (l/min) 30 kPa Resistance	PRIMARY FLOW RATE Kg/Sec. @ 130° C	HEAT LOAD kW.
E2A SW 7	14.3	0.023	50
E2A SW 11	28.7	0.046	100
E2A SW 13	43.1	0.069	150
E2A SW 17	57.0	0.092	200
E2A SW 19	71.8	0.115	250
E2A SW 23	86.2	0.138	300
E2A SW 25	100.5	0.161	350
E2B SW 29	114.8	0.184	400
E2B SW 33	129.2	0.207	450
E2C SW 21L	143.6	0.230	500
E2C SW 23L	157.9	0.253	550
E2C SW 25L	172.3	0.276	600
E2C SW 27L	186.7	0.299	650
E2C SW 29L	201.0	0.322	700
E2C SW 31L	215.4	0.345	750

E2 SW SERIES



ECONOPLATE BARE PLATE SERIES

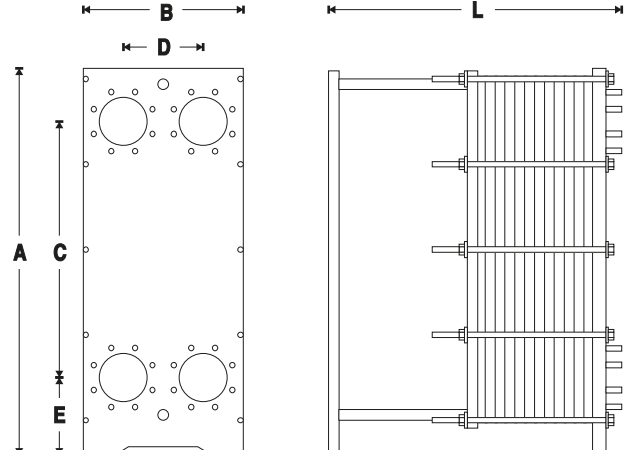


ECONOPLATE 'BARE PLATE' : The units listed below are a sample of some 36 models which are available with infinite variations on plate numbers, plate types, and gasket materials. Whilst water heat exchange is the prime objective, many other fluids can be catered for with ease. Stokvis are more than willing to help solve your heat exchange problems; sophisticated computerised sizing and load/fluid requirement calculations ensure effective solutions. Contact Stokvis for more information.

EconoPlate Bare Plate heat Exchangers

Type	A mm	B mm	C mm	D mm	E mm	L (max) mm	Max. Flow Rate (m³/h)
M4	188	72	154	40	17	140	4
M10	287	115	243	72	22	205	12
GC12	480	180	357	60	62	335	20
GC28	789	175	675	65	71	848	12
GC30	675	240	555	100	60	556	30
GX12	830	320	592	135	140	400	50
GX18	1060	320	822	135	140	400	50
GX26	1266	460	779	226	221	2770	200
GX42	1675	460	1188	226	221	2770	200
GX51	1730	620	1143	300	300	2800	450
GX64	1905	620	1320	285	300	2800	450
GX91	2385	620	1800	285	300	2800	450
GX118	2865	620	2280	285	300	2800	450
GX60	1605	830	910	420	350	3600	800
GX85	1910	1060	1140	570	360	3700	1800

BARE PLATE



STOKVIS ENERGY SYSTEMS



STOKVIS
ENERGY SYSTEMS

STOKVIS INDUSTRIAL BOILERS
(INTERNATIONAL) LIMITED
96R Walton Road East Molesey Surrey KT8 0DL
TELEPHONE 020 8783 3050 • FACSIMILE 202 8783 3051
Email: info@stokvisboilers.com • Website: <http://www.stokvisboilers.comEE>